

## LTE-Lite<sup>(tm)</sup> User Manual

---

# **LTE-Lite User Manual**

**Copyright © 2013 to 2020 Jackson Labs Technologies, Inc.**

<b>1</b>	<b>Introduction</b>	<b>1</b>
1.1	Overview	1
1.2	General Safety Precautions	2
1.2.1	Grounding	2
1.2.2	Antenna Lightning Protection	2
1.2.3	Power Connections	2
1.2.4	Environmental Conditions	2
<b>2</b>	<b>Usage Instructions</b>	<b>3</b>
2.1	Powering Up the Evaluation Board	3
2.1.1	Airflow Warning	4
2.1.2	Supplied Accessories	5
2.1.3	USB Serial Port	5
2.1.4	Major connections	5
2.1.5	Typical Phase Noise and ADEV Plots	6
2.1.6	Evaluation Board Mechanical Dimensions	8
2.1.7	LTE-Lite SMT Module Mechanical Dimensions	9
2.1.8	LTE-Lite Evaluation Board Schematics	9
2.2	Connector, Buttons and Switches on the Evaluation Board	11
2.3	LTE-Lite SMT Module usage	13
2.3.1	LTE-Lite SMT Module Minimum Required Setup	13
2.3.2	Using the LTE-Lite SMT Module with external TCXOs	14
2.3.3	Using the LTE-Lite SMT Module Synthesized Frequency Output	16
2.3.4	Adding a USB output to the LTE-Lite SMT Module for NTP applications	17
2.3.5	SMT Module Power Connection	18
2.3.6	SMT Module Antenna Connection	18
2.3.7	1PPS Module outputs	18
2.3.8	Synthesized RF Output Frequency	18
2.3.9	System Reset	19
2.3.10	Module Serial IO pins	20
2.3.11	Module IO Pinout	20
2.4	Connecting a GPS Antenna	24
2.5	USB serial connection	25
2.5.1	Proprietary \$PSTI NMEA GPS Status Sentence	25
2.5.2	JLT Proprietary STATUS Output Sentence	25
2.5.2.1	Lock Status Definition	26
2.5.2.2	Health Status Definition	26
<b>3</b>	<b>Certification and Warranty</b>	<b>29</b>
3.1	Certification	29
3.1.1	Warranty	29
3.1.2	Limitation of Warranty	29
3.1.3	Exclusive Remedies	30



# 1 Introduction

## 1.1 Overview

The LTE-Lite GPSDO is a very low-cost, small SMT Timing and Frequency reference module for high-volume Small Cell applications. It is intended to provide precise timing and a very low Phase Noise and jitter frequency reference to RF Transceivers and Base Band processors as typically used in Small Cell applications. The LTE-Lite is a true GPSDO rather than a Numerically Controlled Oscillator, using true precision analog disciplining of the high-end Crystal rather than digital phase-adjustments of a free running low-cost crystal, resulting in many orders of magnitude less jitter and Phase Noise. The LTE-Lite GPSDO is available as an SMT module, or mounted onto the LTE-Lite Evaluation Board with easy access to relevant signals via a host of connectors and switches.

The LTE-Lite GPSDO and LTE-Lite Evaluation Board include a high-performance GPS/QZSS receiver that can acquire and track up to 65 GPS signals down to a state of the art  $-165\text{dBm}$ , a 32bit processor, a low-noise 3V CMOS 10MHz, 19.2MHz, or 20MHz output, two 3.3V CMOS 1PPS outputs, TTL or USB status and Position-Velocity-and-Time (PVT) interface, precision voltage references, power filters, and DACs. It generates a low-noise 10/19.2/20MHz signal with typically better than  $1\text{E}-09$  precision and accuracy (1ppb), better than typ. 135fs jitter (100Hz to 2MHz) and a 1PPS signal with typically better than  $\pm 25\text{ns}$  stability when locked to GPS.

The LTE-Lite GPSDO provides status information on TTL output lines that can directly drive LEDs, and has two serial output ports for NMEA PVT and Oscillator status output. All configuration of the LTE-Lite GPSDO is done via pull-down TTL straps with built-in pull-up resistors, so no software configuration driver is needed on the users' system. The evaluation kit may be operated and powered from the built-in USB port, or an optional 5V power supply and both power-sources may be connected simultaneously. The evaluation kit is supplied with a USB cable and matching wall-wart power supply, two MMCX to BNC adaptor cables, a GPS antenna, and a quick-start guide. The unit provides an industry-standard NMEA GPS serial output that is enabled by default and provides Position/Velocity/Timing (PVT) information, and also provides a UTC-synchronized 1PPS signal on the USB serial port DCD# pin for NTP applications. The LTE-Lite GPSDO also provides a NMEA-compatible proprietary status message on a secondary serial port that sends oscillator lock status as well as health status information to a users' system.

## 1.2 General Safety Precautions

The following general safety precautions must be observed during all phases of operation of this instrument. Failure to comply with these precautions or with specific warnings elsewhere in this manual violates safety standards of design manufacture, and intended use of the instrument. Jackson Labs Technologies, Inc. assumes no liability for the customer's failure to comply with these requirements.

### 1.2.1 Grounding

To avoid damaging the sensitive electronic components in the LTE-Lite GSPDO kit or board always make sure to discharge any built-up electrostatic charge to a good ground source, such as power supply ground. This should be done before handling the circuit board or anything connected to it, i.e. the GPS antenna.

### 1.2.2 Antenna Lightning Protection

Always use a UL-certified, properly installed Antenna Lightning suppressor on the antenna cable when mounting the GPS antenna. Without proper Lightning Protection damage to equipment, injury, or death may result.

### 1.2.3 Power Connections

Make sure to connect the DC power to the device following the polarity indicated in Section 2.1. Do not reverse the power pins as this will cause serious damage to the circuit board.

### 1.2.4 Environmental Conditions

This instrument is intended for indoor use. It is designed to operate at a maximum relative non-condensing humidity of 95% and at altitudes of up to 4000 meters. Refer to the specifications tables for the ac mains voltage requirements and ambient operating temperature range.

# 2 Usage Instructions

## 2.1 Powering Up the Evaluation Board

The LTE-Lite Evaluation Board is essentially a plug-and-play product that only requires a power source and a GPS antenna to be connected to start generating highly-accurate output frequency and 1PPS signals that are phase and frequency aligned to UTC (USNO) and thus allow NIST-traceability. To use the Evaluation Board, simply plug in the power supply using the supplied USB cable, plug in the antenna, and wait about 15 minutes typically for the GREEN “LOCK-OK” LED to light up to indicate that the unit is locked to UTC with better than  $\pm 250$ ns phase accuracy, and a frequency accuracy of better than 1ppb has been achieved. The internal software will auto-configure and auto-calibrate the unit without any user-interaction and the longer the unit runs the more accurate it will become.

For units with a Timing GPS receiver, the unit will start an Auto Survey process to establish the stationary antenna position as soon as power is applied, and this is indicated by the SURVEY LED on the Evaluation Board. The Auto Survey process will take at least 2000 seconds to finish, at which time the antenna position is stored in internal memory, and operation with 1 satellite is possible (4 sats are required for Mobile mode/non-Position-Hold operation).

The Evaluation Board is powered directly from the USB cable, and/or from an optional external 5V DC source on the +5V header. The USB cable and the external 5V DC source may be connected at the same time as they are diode-protected from one another. The current is typically less than 0.07A at 5V. Connect a clean +5V power supply to the +5V header block if the USB cable is not going to be used, or is plugged-in intermittently. See [Figure 2.3](#) for the proper polarity of the optional external 5V DC power connection. Reversing the polarity on the power connector will not damage the unit as it is diode reverse-polarity protected.

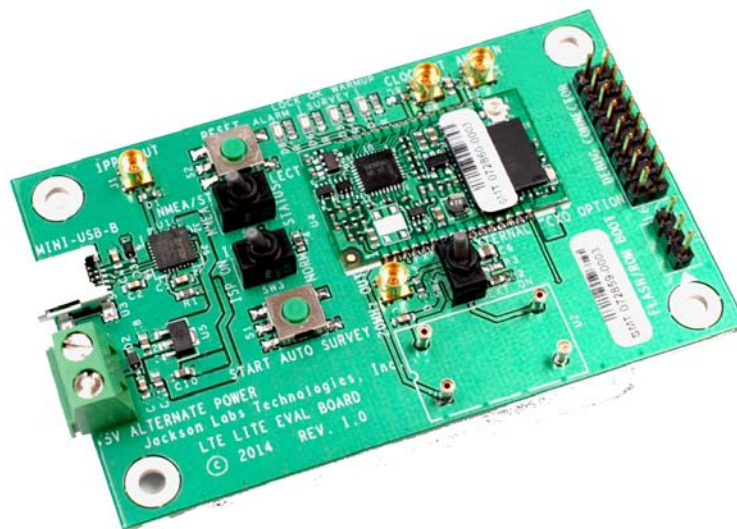
When communicating to the unit through the USB cable, Windows Vista, Windows 7/8 and Linux will auto-recognize the unit as a USB serial COM adaptor, and automatically assign a serial port to the unit. Windows will automatically load the USB COM driver for the board, and may need to have access to the Internet to download the latest driver from the Microsoft update website. The user can verify the COM port that windows assigned to the unit under the Computer Management window (right click on computer and press the “MANAGE” button under Windows 7, or go to Control Panel/Computer Management). The unit should show up as a standard serial port adaptor under the “Ports (COM& LPT)” Icon. Please note the COM port number, as it is required for the initialization of application software.

The unit will start to search for satellites as soon as power is applied, and will start to lock the internal TCXO to UTC as soon as a GPS antenna is attached and more than 4 sats become visible. After 30 minutes or less the unit should stabilize the frequency, and all ALARM indicators should be off resulting in the Green “LOCK OK” LED to be lit up. At this time the Green LED will indicate the unit is fully synchronized to UTC, and generating a stable and accurate 20MHz/19.2MHz/10MHz output signal. The Green LED may go off momentarily from time to time as airflow touches the unit or sats come in and out of view - this is normal behavior.

You may place the GPS antenna in a window, but it is recommended to place the GPS antenna with a full view of the sky for best performance. The antenna cable can be extended to 100m or more with high quality antenna cable (use quad shielded RG-6 75 Ohms cable, or high-quality 50 Ohms coax cable) without significant loss of signal quality.

**WARNING: Make sure to use a proper and certified Antenna Lightning Arrestor when placing the antenna outside as lightning strikes can cause damage, injury, or death to equipment and personnel.**

**Figure 2.1 LTE-Lite Evaluation Board with LTE-Lite Module**



## 2.1.1 Airflow Warning

The LTE-Lite SMT module and thus the LTE-Lite Evaluation Board are very sensitive to airflow. This includes airflow from convection, walking past the unit, or Air Conditioning systems. For optimal performance the user must insure that the unit is shielded from any airflow by placing the unit into an enclosure (for example Hammond PN: 1455C801BK). Please note that the external DIP-14 TCXO and its socket must be removed from the PCB for it to fit into the aforementioned Hammond enclosure. For optimal stability performance of the TCXO the unit should be sealed into an airtight enclosure.



## 2.1.2 Supplied Accessories

The LTE-Lite Evaluation Kit includes the LTE-Lite Evaluation Board and is supplied with a GPS antenna with 5m cable, a USB cable, a USB wall-wart power supply, and two MMCX to BNC adaptor cables and is ready-to-go out of the box.

**Figure 2.2** LTE-Lite Evaluation Kit example Accessories



## 2.1.3 USB Serial Port

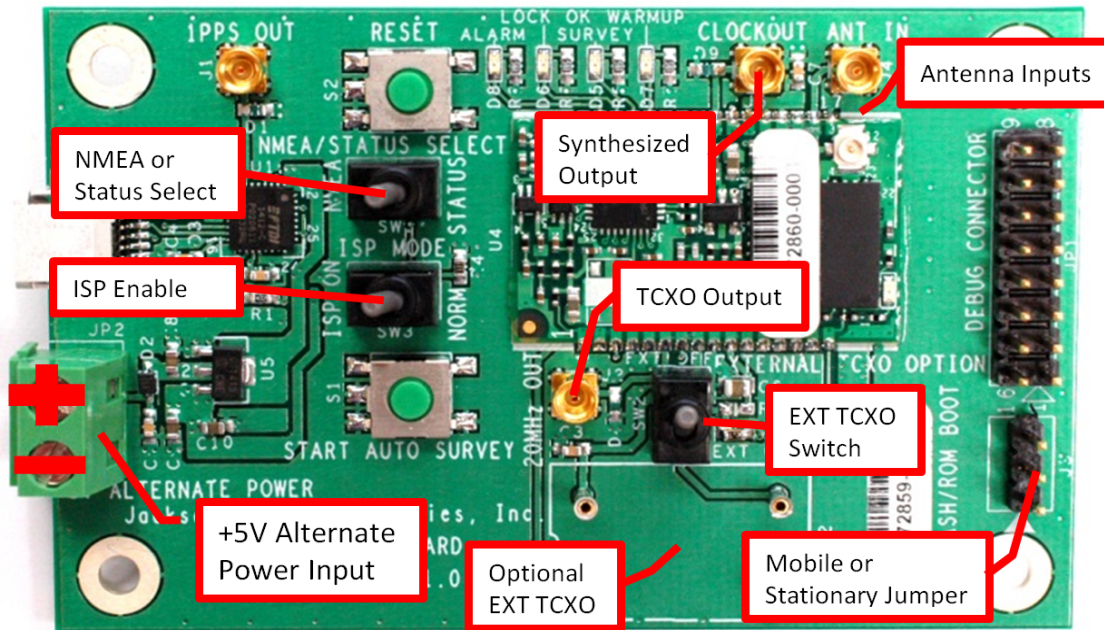
The LTE-Lite Evaluation Board has an internal RS-232 to USB serial port adaptor. This allows the unit to be directly connected to a PC's USB port, from which it will receive power and to which it will send serial output sentences with no external RS-232 to USB adaptor is required. The term "RS-232" and USB serial port are used interchangeably, as the RS-232 port is implemented and connected via the USB serial connection. Windows and Linux have built-in support for this optional serial port functionality.

## 2.1.4 Major connections

The LTE-Lite Evaluation Board has a number of connectors, switches, jumpers, headers and LEDs to select and display status. These are driven by signals from the LTE-Lite GPSDO SMT module.

The major connections and features of the LTE-Lite Evaluation Board are shown in [Figure 2.3](#).

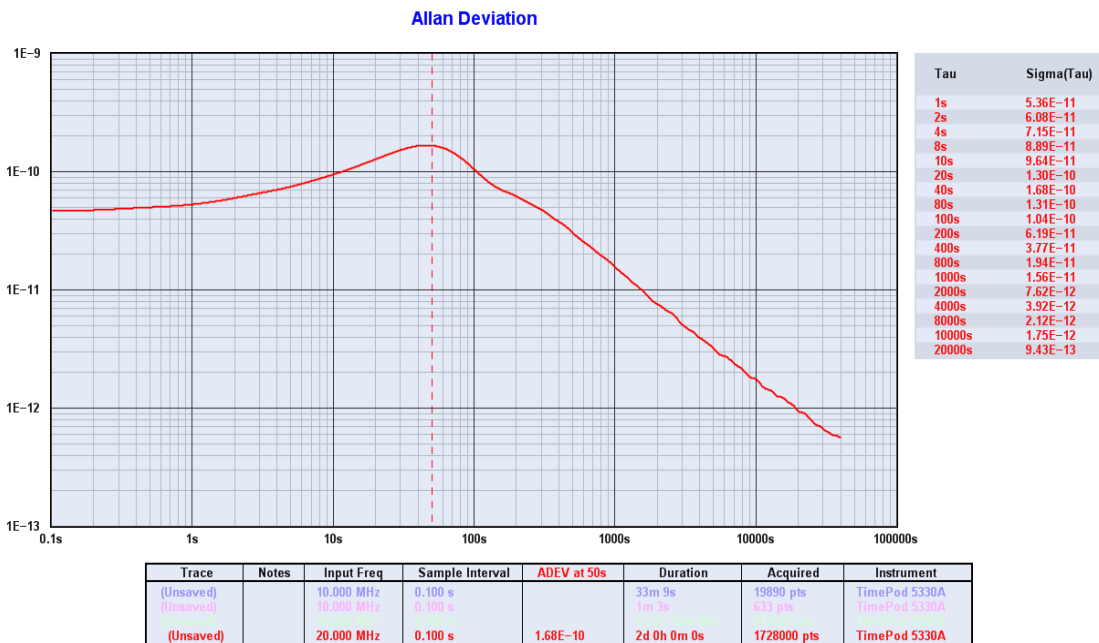
**Figure 2.3 Major connections of the LTE-Lite Evaluation Board**



### 2.1.5 Typical Phase Noise and ADEV Plots

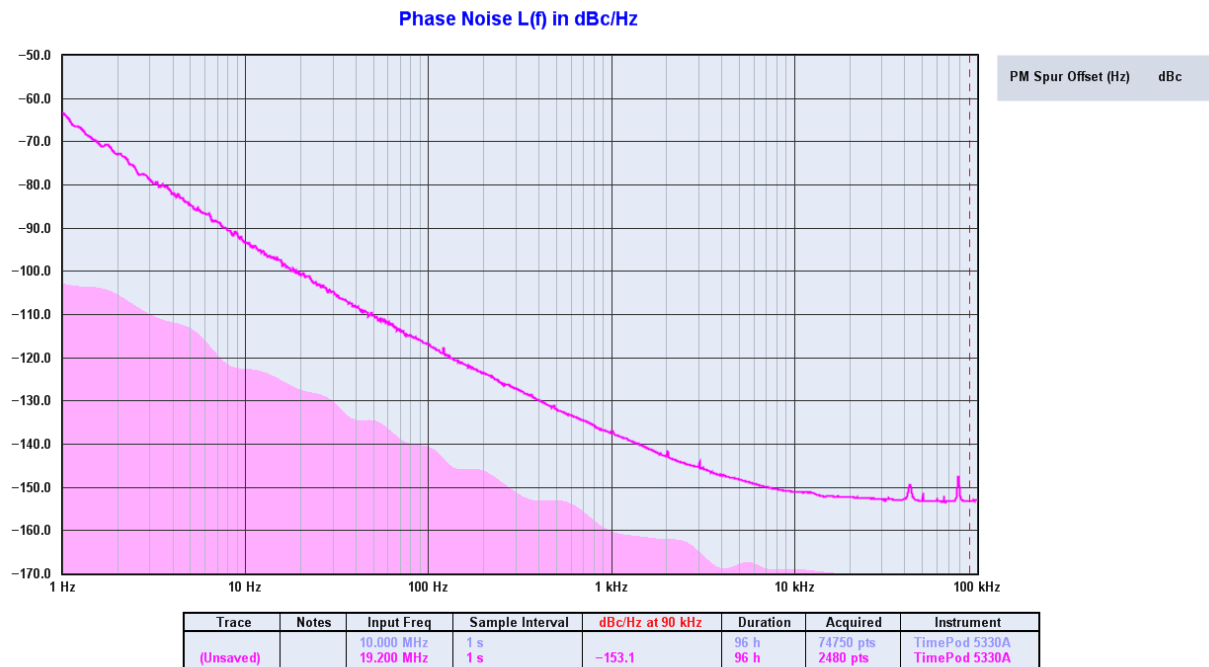
The following plot shows a typical ADEV plot for the LTE-Lite Evaluation Board. The unit had been operating for 5+ days, has not been moved or vibrated in any way, and was completely shielded from airflow by placing the unit into an airtight enclosure.

**Figure 2.4 Typical ADEV plot of 20MHz LTE-Lite Evaluation Board**



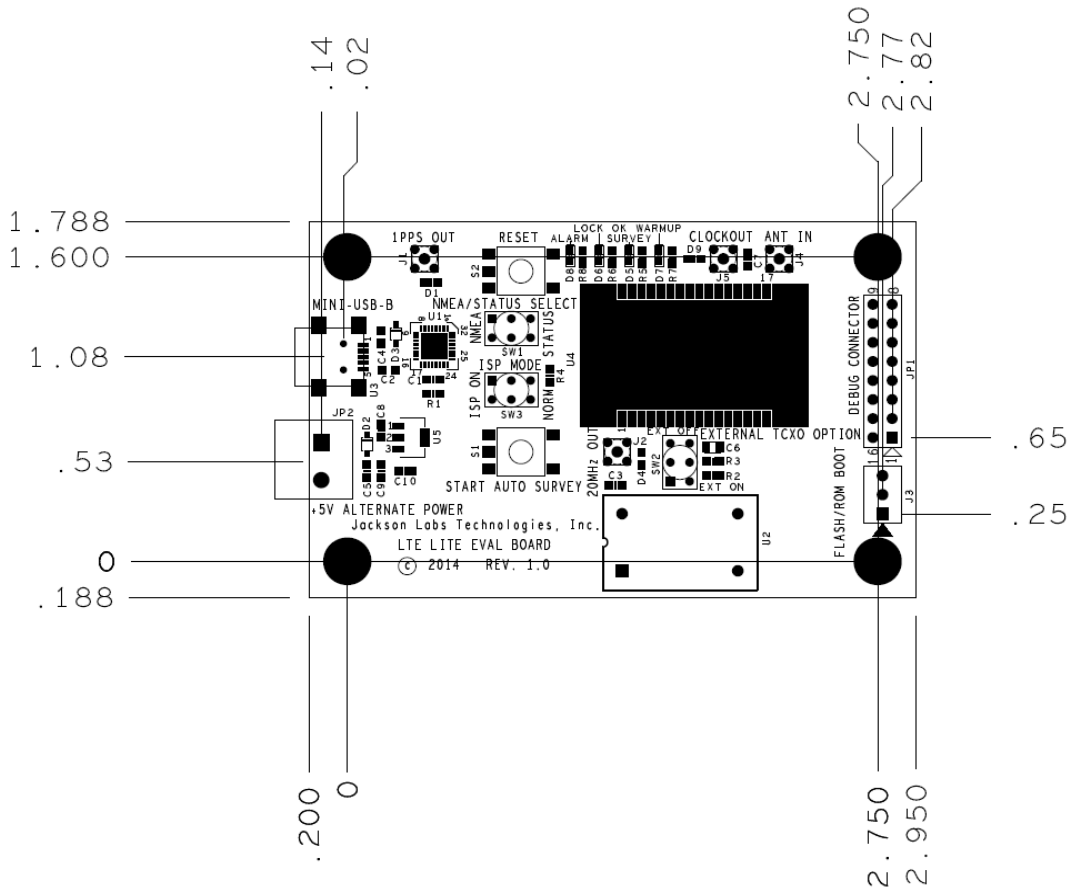
The following plot shows a typical Phase Noise plot of the TCXO buffered RF output for the LTE-Lite Evaluation Board. The unit had been operating for 1 day, and was completely shielded from airflow by placing the unit into an airtight enclosure.

**Figure 2.5 Typical Phase Noise plot of 19.2MHz LTE-Lite Evaluation Board**



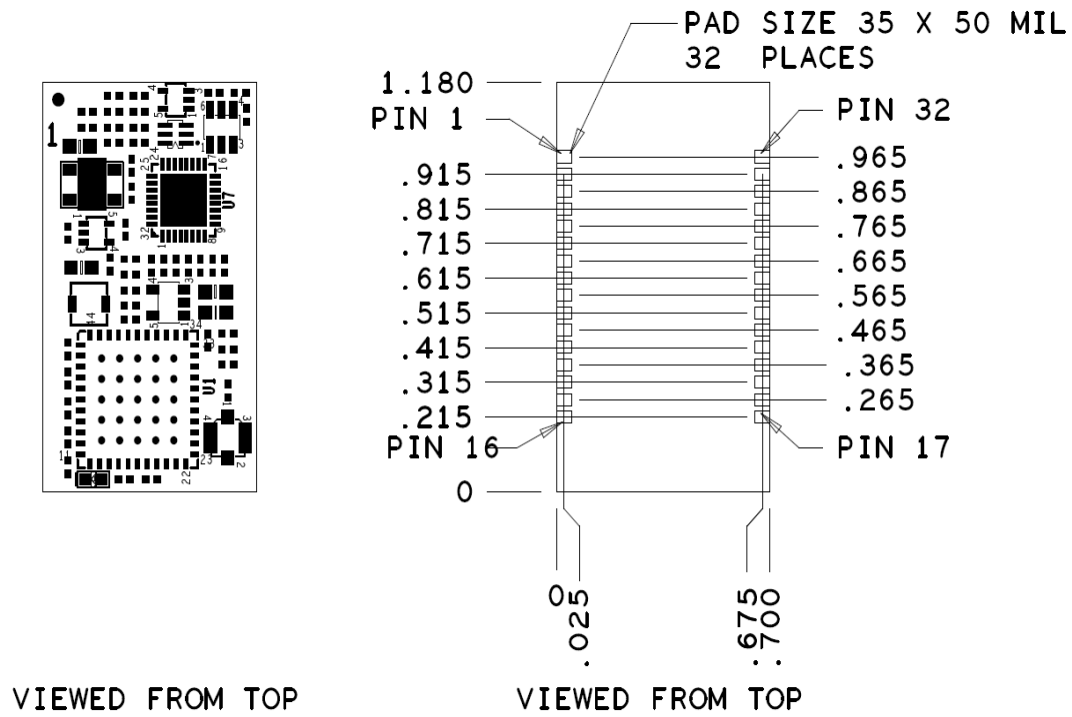
## 2.1.6 Evaluation Board Mechanical Dimensions

Figure 2.6 Mechanical dimensions



## 2.1.7 LTE-Lite SMT Module Mechanical Dimensions

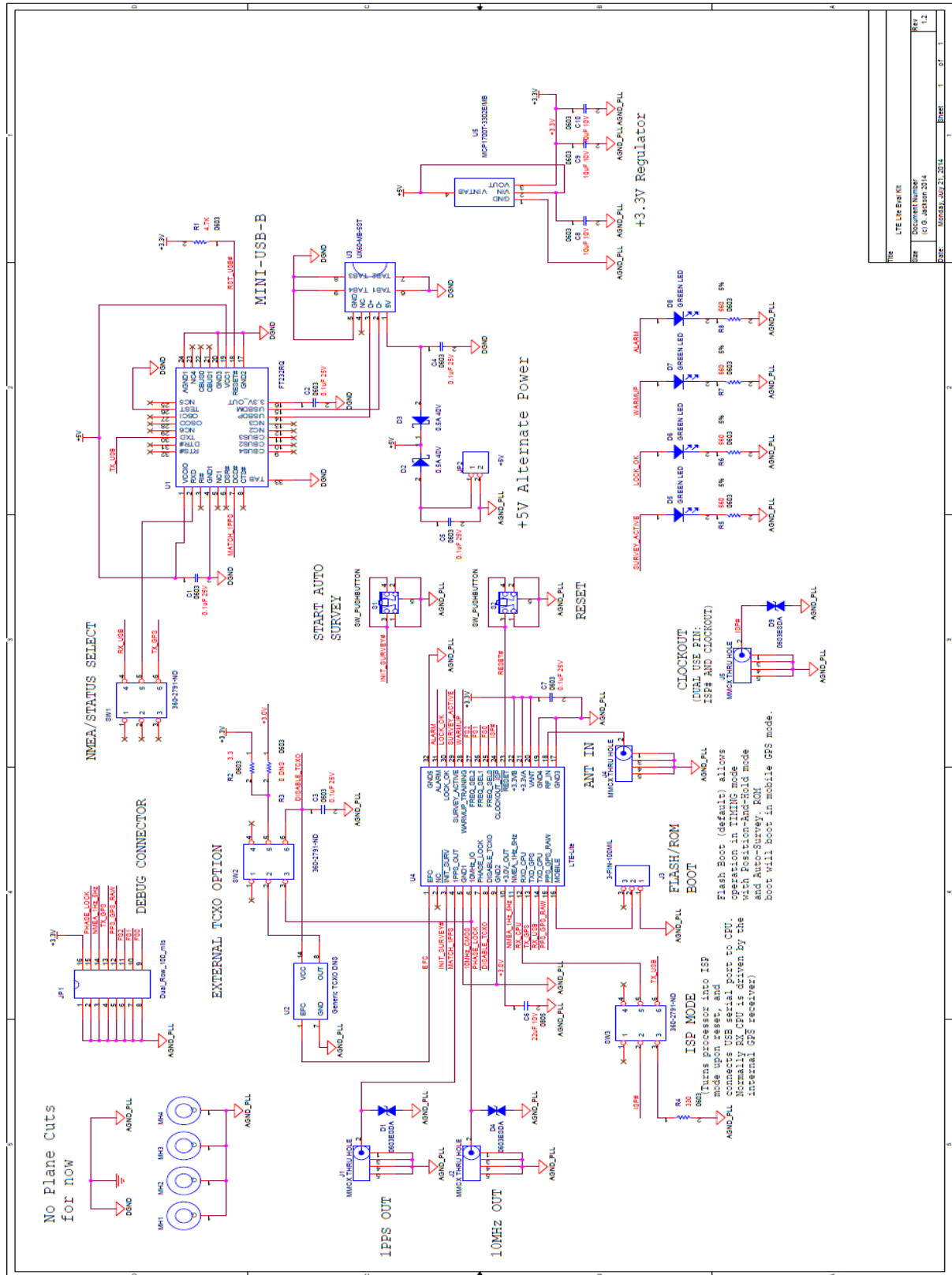
Figure 2.7 Mechanical dimensions of the LTE-Lite SMT Module



## 2.1.8 LTE-Lite Evaluation Board Schematics

The following schematics may be used as an example of how to connect the LTE-Lite SMT Module, and to maximize the features of the LTE-Lite SMT Module. Please note that IC U4 is the actual LTE-Lite SMT module.

Figure 2.8 Schematics of LTE-Lite Evaluation Board



REV	LTE-Lite-Eval-Kit
DATE	Document Number 1010, Jackson Labs
REV	1.2
DATE	02/05/2014
REV	1
DATE	07/21/2014

## 2.2 Connector, Buttons and Switches on the Evaluation Board

Table 2.1 shows the LTE-Lite Evaluation Board connectors, buttons, switches, and LEDs.

**Table 2.1 LTE-Lite Evaluation Board connectors, buttons, switches, and LEDs**

Ref	Name	Function	Specification	Pinning/Usage
JP2	+5V	Optional External +5V Supply. Use when USB power supply is not available	5V DC +/-20%, <0.08A, <10mVac	Pin close to USB connector: +5V Pin close to Mounting Hole: GND
J3	Position Hold Mode or Mobile Mode selector	Selects if the unit is used in stationary mode or mobile mode	Open (default): Auto Survey mode with Position Hold function is enabled Jumper Inserted: Auto Survey mode is disabled, and Mobile (3D) mode is selected <b>WARNING: DO NOT CHANGE THE SETTING OF THIS JUMPER WITH POWER APPLIED TO THE UNIT, THIS MAY CORRUPT THE FLASH OF THE GPS RECEIVER PERMANENTLY.</b>	Insert a jumper between Pin 1 to Pin 2 to disable Auto Survey mode. Only change this jumper with power to the unit being turned off.  <b>WARNING: DO NOT CHANGE THE SETTING OF THIS JUMPER WITH POWER APPLIED TO THE UNIT, THIS MAY CORRUPT THE FLASH OF THE GPS RECEIVER PERMANENTLY.</b>
J2	20MHz, 10MHz, or 19.2MHz CMOS Out	Buffered RF output from internal TCXO	+3.0V CMOS 20MHz, 10MHz, or 19.2MHz Output, can drive up to +/-24mA. Frequency depends on TCXO selection	Center-RF Output, Shield-GND
J1	1PPS CMOS Out	1PPS Signal Aligned to UTC	+3.3V CMOS 1PPS Output, can drive up to +/-10mA	Center-1PPS Output, Shield-GND
U3	USB Port	Supplies Power and NMEA output strings	Standard USB 2.0 Full Speed	Mini USB
J5	Synthesized RF output	Un-buffered output of internal PLL Synthesizer	3.3V CMOS, can supply up to +/-10mA, frequency selected via three jumpers	Center- RF Output, Shield- GND
J4	Antenna In	GPS Antenna Input	GPS 1575MHz antenna input, supplies DC +3.3V to antenna with up to 60mA current	Center- RF Output, Shield- GND
SW1	NMEA/Status Selector Switch	Selects if either GPS NMEA data or an Oscillator Status sentence is sent to USB port	For GPS NMEA output: 38.4K Baud 8N1, supported sentences: GGA, GLL, GSA, GSV, RMC, VTG, ZDA For Status output: 38.4K Baud 8N1, oscillator and system health status string. Proprietary NMEA sentence	Left: GPS NMEA Right: Oscillator Status

SW2	External TCXO Selector	Disables internal TCXO and selects optional external DIP-14 TCXO	Down setting: external DIP-14 TCXO supplied with +3.3V, and 0V to 3.0V EFC range. TTL or CMOS output, 10/15.36/19.2/20MHz TCXO	Up: Internal TCXO Down: External TCXO
SW3	ISP Mode Selector	Enables In System Programming (ISP) mode	Factory Use Only	Factory Use Only. Set to Right setting (NORM) for board to operate properly
S1	Init Auto Survey	Initiates a Position Auto Survey	Press button for 1+ seconds to manually initiate an Auto Survey process	Press button for 1+ seconds until SURVEY LED lights up
S2	RESET	System Reset	Press button momentarily	Initiates a System Reset
LED D5	SURVEY LED	Lights up during Auto Survey process	Lights up for 2000 or more seconds after power-on to indicate Auto Survey is in process	Lights up during Auto Survey
LED D6	LOCK-OK	Indicates No Events are pending, and oscillator is locked	Lights up when oscillator is locked to UTC via GPS receiver, and no events are pending. Events are individually shown in the status serial string sentence	Lights up when unit is healthy and locked to GPS. Extinguishes when a hardware or software event is pending, no GPS signal is received, or the unit is not yet locked to GPS/UTC
LED D7	WARMUP	Indicates unit is still in warmup mode	Lights up for one or more minutes after power-on	Indicates unit is warming up
LED D8	ALARM	Indicates a hardware fault, or software alarm	Lights up when a hardware fault or software alarm has been detected	Lights up during Alarm conditions
GPS LED	GPS Status LED	Power and GPS Fix indicator	Lights up when power is applied, and blinks when GPS fixes are being received	Blinks when GPS fixes are properly being received, and unit is powered-on. Resides on LTE-Lite SMT module near antenna connector



JP1	Debug Connector	Debug status, Synthesizer Frequency selector, 1Hz/5Hz NMEA selector, Raw 1PPS output, RESET# output signal	Pins 9, 10, and 11: Insert jumpers Pins 12 and 13: CMOS 3.3V output of GPS 1PPS and GPS TXD Pin 14: Insert jumper for 5Hz NMEA output Pin 15: Indicates when synthesizer is phase-locked (can be used as a RESET# signal to other circuits) Pin 16: +3.3V, 50mA max	Insert jumpers between Pins 9 and 8, 10 and 7, 11 and 6 to select synthesized output frequency. Insert jumper between pin 14 and 3. Pin 15: standard 3.3V CMOS level RESET# output signal with up to 1s reset active low
-----	-----------------	--	---	--

## 2.3 LTE-Lite SMT Module usage

The LTE-Lite SMT Module by itself is designed to be soldered into a customer PCB using standard SMT pick-and-place procedures. The SMT module is designed as a 0.032 inches thin single-sided PCB with 32 castellated solder pads on the bottom and on the sides of the module. It is recommended that the users' PCB has a filled ground plane under the SMT module, and does not contain any traces under the SMT module to avoid cross-talk into signals inside the module. It is also recommended that the users' PCB has a solid silkscreen layer under the SMT module to generate insulation between the SMT module and the users' PCB. Soldering can be done manually, or using standard reflow oven soldering procedures. The module can be soldered onto the customers' PCB using lead or RoHs procedures.

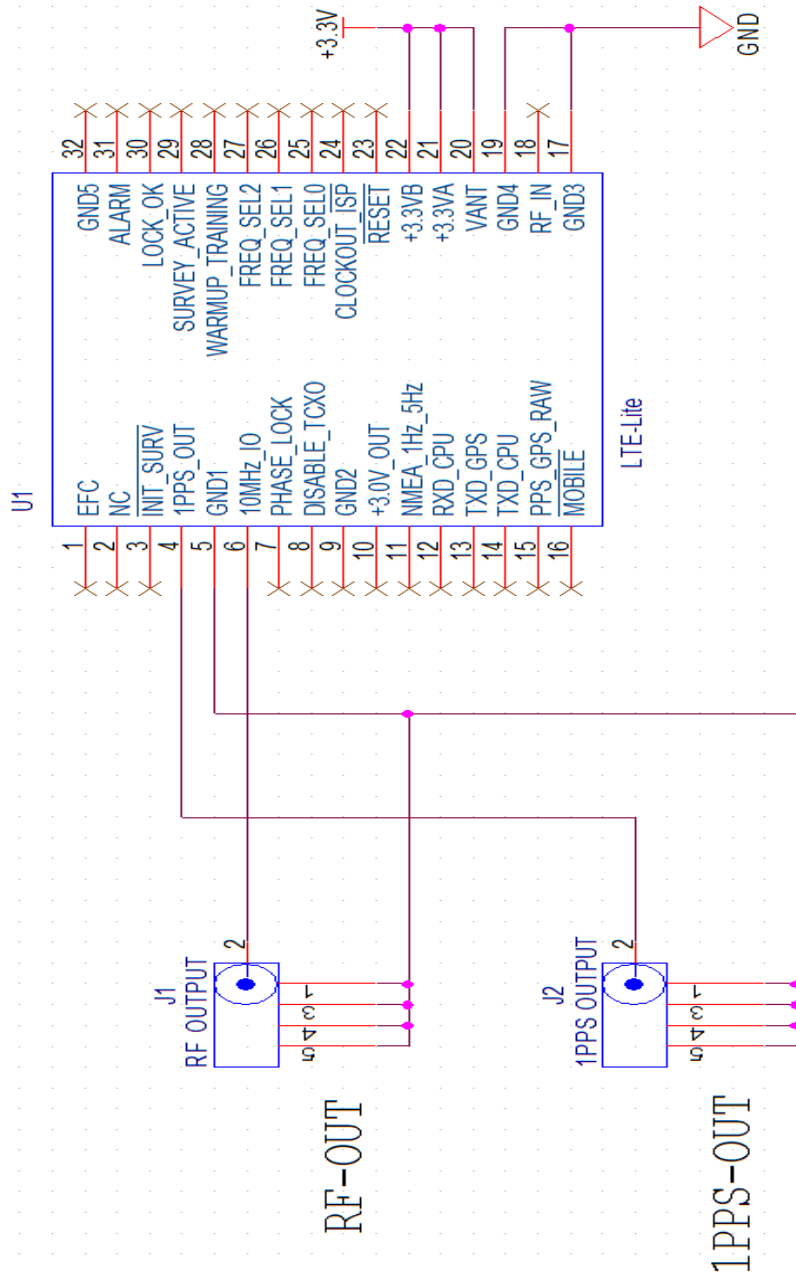
**The LTE-Lite SMT module is moisture sensitive, and it must be pre-baked before reflow-soldering to avoid damage to the internal IC's from moisture absorbtion. Pre-bakeing should be done at +110 Degrees C maximum for 24 hours prior to soldering the module to a customers' PCB. Pre-bakeing is not required for manually hand-soldering the unit onto a customers' PCB using a solder-iron (not a heat-gun).**

### 2.3.1 LTE-Lite SMT Module Minimum Required Setup

The following schematics show the minimum required connections to operate the LTE-Lite SMT Module. Only a +3.3V power supply is needed, an antenna connection to the internal U.FI coax connector, and a connection to the TCXO output and 1PPS output are needed to use the module.

**Figure 2.9 Minimum required setup for the LTE-Lite SMT Module**

**EXAMPLE 1: MINIMUM OPERATING SETUP**



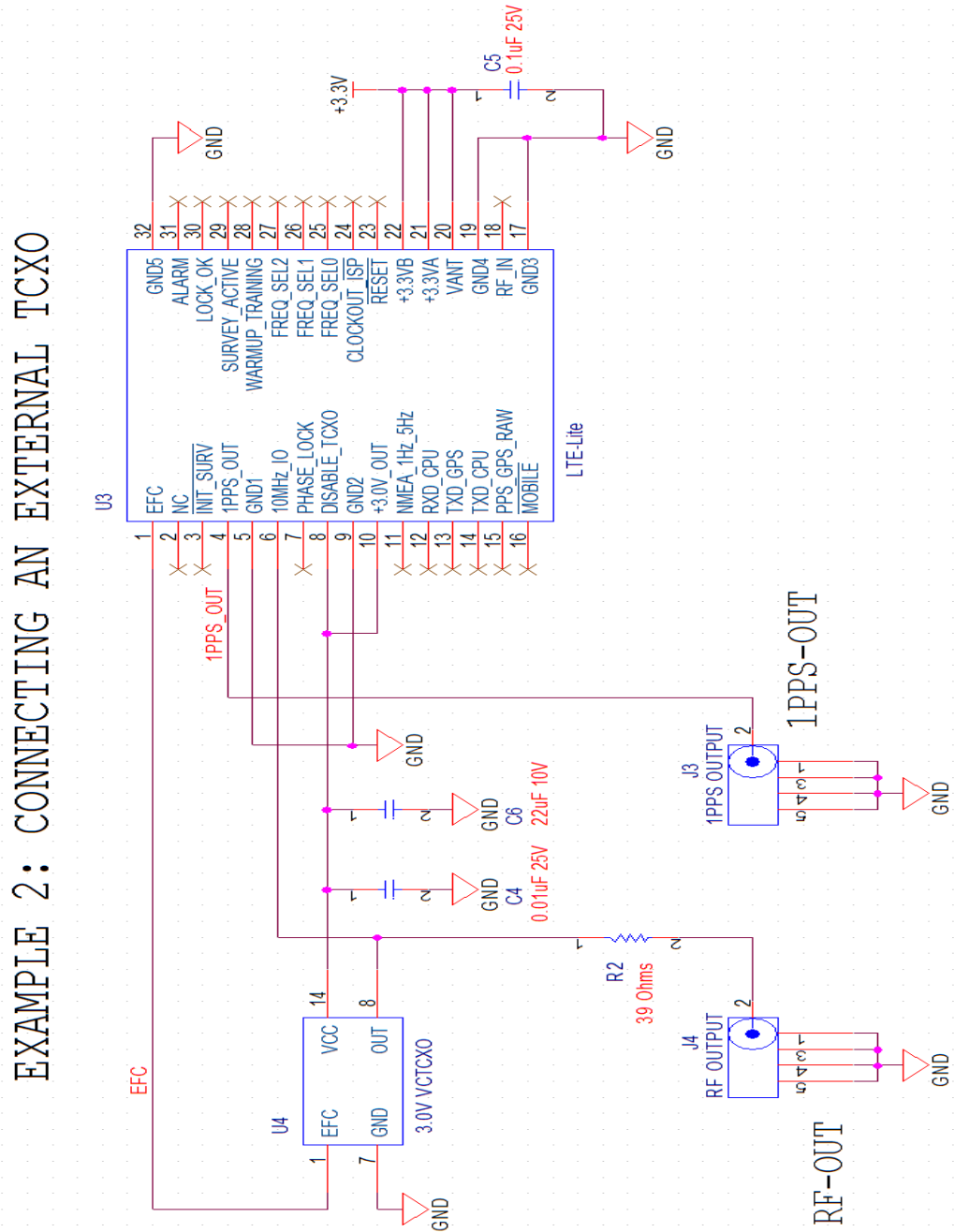
### 2.3.2 Using the LTE-Lite SMT Module with external TCXOs

The following schematics shows how to connect an external 3.0V TCXO to the LTE-Lite SMT Module using the internal low-noise 3.0V regulator output to power the external TCXO. The internal TCXO and TCXO buffer are disabled by pulling the DISABLE-TCXO pin 8 of the module high,

which then allows feeding an external 3.3V CMOS or TTL RF signal into the RF pin 6 of the module. The former RF output pin 6 of the module becomes an RF input pin when pulling pin 8 of the module high. The module TCXO Disable pin 8 is pulled-low internally to the module to allow the internal TCXO to operate by default. Allowable external frequencies are 10MHz, 15.36MHz, 19.2MHz and 20MHz. Additional frequencies may be supported by the firmware at a later date.

External oscillators can be disciplined directly by the modules' EFC output pin 1, and should have 50K Ohms or higher resistance to ground on their EFC pins. The EFC output pin 1 has a voltage range of 0V to 3.0V an requires external oscillators with positive frequency slope.

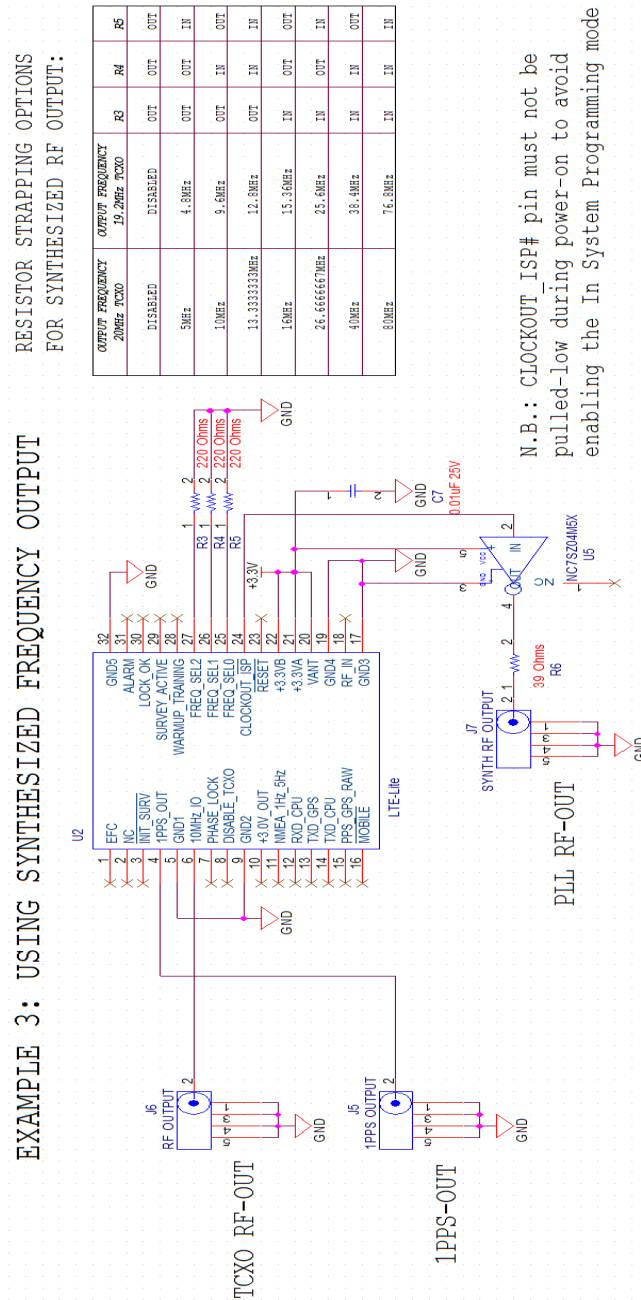
**Figure 2.10 Connecting an external TCXO to the LTE-Lite SMT Module**



### 2.3.3 Using the LTE-Lite SMT Module Synthesized Frequency Output

The following schematics show an example of how to use the un-buffered synthesized RF output of the LTE-Lite SMT Module.

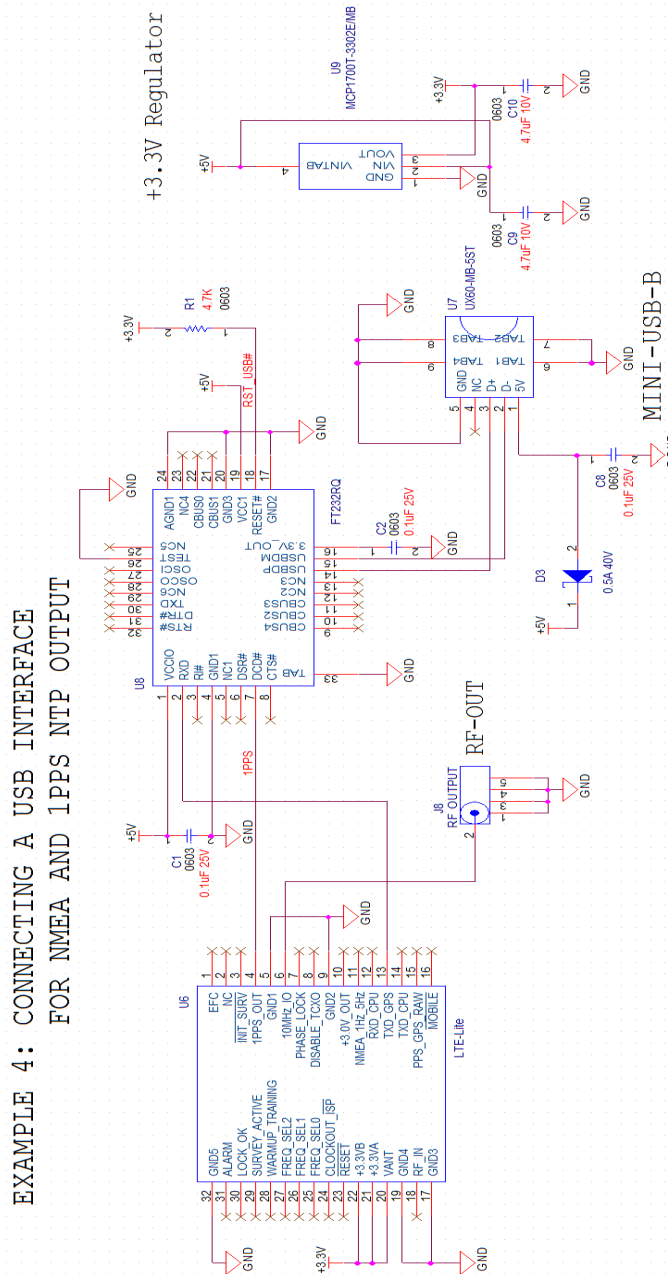
**Figure 2.11 Using the synthesized frequency output of the LTE-Lite SMT Module**



### 2.3.4 Adding a USB output to the LTE-Lite SMT Module for NTP applications

The following schematics show an example of how to connect a USB serial adaptor chip to the LTE-Lite SMT Module to supply NMEA PVT/status information and a 1PPS pulse to NTP applications.

**Figure 2.12 Adding a USB output to the LTE-Lite SMT Module**



## 2.3.5 SMT Module Power Connection

The LTE-Lite SMT Module is powered by an external +3.3V power supply with -0.15V and +0.25V range on pins 21 and 22 of the module. The module typically draws less than 60mA of current. The module also supplies pin 20 for antenna power biasing, and this pin is typically connected to the external +3.3V power supply or it may be alternatively connected to 5V power supplies for 5V antenna systems. All three power pins are internally bypassed for noise-filtering.

The module generates a low-noise, low-pass-filtered 3.0V internal power rail for the TCXO, DAC's and other sensitive circuits, and this power rail is available on pin 10 of the module for optional additional bypassing and powering external circuitry such as optional external TCXO's or buffer IC's with a low-noise 3.0V power rail. No noise should be injected into this power rail as that may adversely affect the RF signal quality. The 3.0V output may source up to 50mA.

## 2.3.6 SMT Module Antenna Connection

The LTE-Lite SMT Module has an internal U.FI coax antenna connector that is connected in parallel to pin 18 of the module to allow for external antenna connections. Either the internal coax connector or the external antenna feed from the users' PCB can be used, but not both simultaneously. The antenna input pin carries DC power that can be supplied from pin 20 of the module, is internally RF-blocked and bypassed to the antenna power-pin 20, can support up to 100mA current, and antenna voltage ranges of 3.0V to 5V. The unit supports external passive antennae (0dB gain) or active antennae with up to +30dB antenna amplification at GPS L1 frequencies.

## 2.3.7 1PPS Module outputs

The LTE-Lite SMT Module provides a GPS raw 1PPS CMOS pulse on pin 15 with sawtooth present, and a clean TCXO-generated, sawtooth-removed, UTC(GPS) phase-locked 1PPS output on pin 4. Both outputs have 3.3V CMOS level, and are rising-edge aligned to UTC(GPS). The loop software on the module will steer (discipline) the TCXO to become phase-locked to the raw GPS 1PPS output signal, and thus the two 1PPS signals slowly converge upon each other. The process of slowly phase-locking the clean 1PPS output to the raw GPS receiver 1PPS output can take several hours to settle due to the long time-constants used in the phase locked loop, and may be disturbed by thermal changes, airflow, tilt, acceleration, or vibration affecting the TCXO crystal frequency.

## 2.3.8 Synthesized RF Output Frequency

The LTE-Lite SMT Module contains an n/m RF synthesizer that uses the TCXO as a reference clock. Thus frequencies that are multiples or integer fractions of the TCXO frequency may be generated and output on the 3.3V CMOS RF output pin 24. This pin is not buffered, and can supply only up to 10mA of output current.

**PLEASE NOTE THAT THE SYNTHESIZED OUTPUT PIN 24 IS ALSO USED AS THE ISP#-ENABLE PIN DURING AND AFTER SYSTEM RESET, AND THIS PIN MUST THUS NOT BE PULLED-LOW DURING RESET OTHERWISE THE BOARD WILL NOT FUNCTION PROPERLY. THE SYNTHESIZED RF OUTPUT PIN 24 SHOULD THUS BE BUFFERED BY A CMOS HIGH-IMPEDANCE-INPUT GATE WITHOUT ANY PULL-DOWN RESISTORS IN THE CIRCUITRY.**

The synthesized frequency is generated by a PLL circuit inside the microprocessor, and uses a VCO to generate the reference frequency. Due to the nature of the VCO/PLL circuit the phase noise and spurs of this output are higher than the TCXO-generated RF output. The output frequency will be phase-locked to the TCXO frequency, and thus to UTC(GPS). Due to the synthesizer being software-controlled, the synthesized output will take up to 1 second typically to appear on the output pin. An external PHASE-LOCK indicator pin 7 on the module indicates when the synthesized output frequency is stable, and this output signal can be used by external circuitry as a generic CMOS RESET# signal.

Frequency selection is done by three internally-pulled-up strap pins on the module (pins 25, 26 and 27) and leaving these pins unconnected causes the synthesized output to be disabled for lower power consumption and reduced EMI noise.

The synthesized output frequencies depend on the TCXO frequency that is used on the module. **Table 2.2** shows the available output frequency selections based on the TCXO frequency and the required resistor straps for the desired synthesized frequency. Leaving an FS strap pin unconnected results in a 1 (high) state, and pulling it to ground results in a 0 (low) state.

**Table 2.2 Synthesized Output Frequency versus Resistor Straps and TCXO Frequency**

FS2/FS1/FS0	10 MHz TCXO	15.36 MHz TCXO	19.2 MHz TCXO	20 MHz TCXO
111	disabled	disabled	disabled	disabled
110	5MHz	4.608MHz	4.8MHz	5MHz
101	13.33333333MHz	10.24MHz	9.6MHz	10MHz
100	16MHz	15.36MHz	12.8MHz	13.33333333MHz
011	20MHz	23.04MHz	15.36MHz	16MHz
010	26.66666667MHz	30.72MHz	25.6MHz	26.66666667MHz
001	40MHz	46.08MHz	38.4MHz	40MHz
000	80MHz	92.16MHz	76.8MHz	80MHz

### 2.3.9 System Reset

The LTE-Lite SMT Module contains internal reset circuitry and thus does not require an external reset input. Pin 23 of the module is an open-collector reset input that can be pulled to ground to initiate a manual system reset of the module. This pin is typically left un-connected, or it can be connected to a reset switch. Initiating a system reset will cause the GPS receiver to not generate GPS fixes for up to 35 seconds if power had been off for prolonged periods of time, and down to 3 seconds typically if the unit had been powered-on recently.

### 2.3.10 Module Serial IO pins

The LTE-Lite module supports three individual serial port pins. Two of these are directly connected to the internal microcontroller (pin 12 RXD\_CPU, and pin 14 TXD\_CPU), and one is directly connected to the GPS receiver on the module (pin 13 TXD\_GPS). Due to only having a single serial port on the microcontroller that needs to be used for both GPS receiver initialization and monitoring as well as external communications and In System Programming (ISP) the microcontroller serial port is connected to both the internal GPS receiver and external USB chip.

The output TXD signal of the microcontroller is thus connected to the GPS serial port input pin, and the USB serial port input pin.

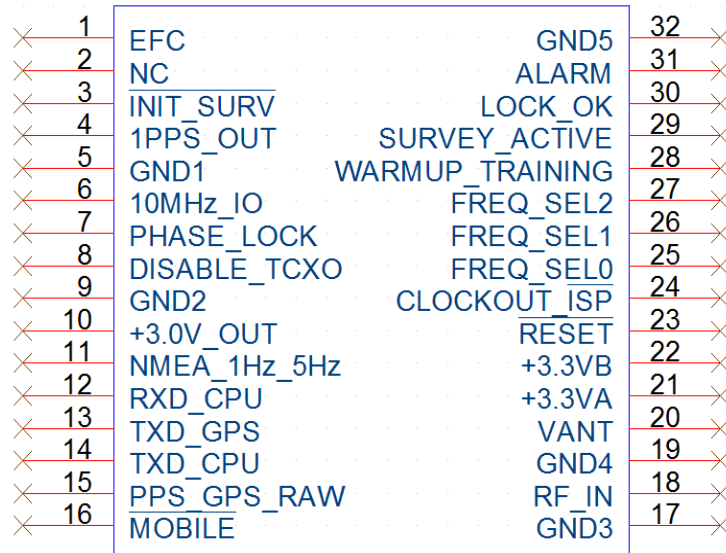
The input RXD signal of the microcontroller is connected to the GPS serial port output pin with a 2.7K Ohms series resistor, and to the USB serial port transmit pin via switch SW3 on the evaluation board. This allows the GPS receiver to send NMEA serial information to the microcontroller during normal operation, and allows the USB chip to drive the microcontroller serial receive input during ISP communications by over-driving the signal that the GPS receiver is sending to the microcontroller. The user only needs to use the microcontroller serial output transmit pin 14 for oscillator lock status output, and the GPS receiver serial output transmit pin 13 for normal operation as the ISP mode is only supported at the JLT factory.

The GPS receiver can generate NMEA sentences in either 1Hz or 5Hz update rate depending on the rate-selection pin 11 (default is internally pulled-up for 1Hz update rate).

### 2.3.11 Module IO Pinout

The LTE-Lite SMT Module has 32 SMT pads arranged in a standard IC pinout pattern. The following drawing shows the pinout of the module.

**Figure 2.13 Pinout of the LTE-Lite SMT Module (Top View)**



LTE-Lite - Top View



Table 2.3 shows the LTE-Lite SMT Module pin description.

All IO pins are internally pulled-up or pulled down so that the user does not have to terminate any unused pins. All unused pins can be left floating.

**Table 2.3 LTE-Lite SMT Module IO pin description**

Pin	Name	Function	Specification	Usage
1	EFC Output	External Oscillator EFC control	0V to 3.0V, 4.6K Ohms output impedance	Connect to frequency control input of optional external oscillator.
2	NC	No Connect	Do Not Connect	Do Not Connect
3	INIT_SURVEY#	Initiates an Auto Survey process	Pull to ground to activate, internally pulled-up	Pulling this pin low manually initiates an Auto Survey process when in Timing GPS mode
4	1PPS-OUT	1PPS Signal Aligned to UTC	+3.3V CMOS 1PPS Output, can drive up to +/-10mA	This 1PPS output signal is aligned to UTC(GPS) and has very low jitter. It is generated by the TCXO and will be active asynchronously if the GPS receiver has not had a GPS fix after power-on, and it will continue to be generated in GPS holdover mode
5	GND1	20MHz output return	Ground	Electrical Ground return for the 20MHz RF output pin
6	RF OUT/IN	19.2MHz/20MHz RF Output from TCXO (default) or RF input (External TCXO option)	3.3V CMOS, can supply up to +/-24mA, buffered TCXO output by default. 3.3V CMOS or TTL input when internal TCXO is disabled by pulling pin 8 high. Must be between -0.2V to 3.4V max on this pin when driving from external sources	By default this pin is a buffered version of the internal TCXO RF output. This pin becomes a CMOS/TTL input when disabling the internal TCXO by pulling pin 8 high. In external TCXO mode this pin receives the RF output of the external Oscillator. Allowable frequencies for external oscillator mode: 10MHz, 15.36MHz, 19.2MHz, and 20MHz
7	PHASELOCK/ RESET#	Indicates Phase Lock of internal Synthesizer	3.3V CMOS indicates PHASE-LOCK, 0V indicates unit is not ready yet. Goes high typically 1 second after system reset	Indicates readiness of the synthesized RF output on the CLOCKOUT pin 24. Can be used as a generic RESET# signal by external user circuitry as it stays low for about 1 second, then goes high and stays high after system power-on or system reset.
8	DISABLE-TCXO	Disables Internal TCXO and output buffer	Pull high to disable internal TCXO. Internally pulled to ground	Pulling this pin high disables the internal TCXO and output buffer, and allows an external oscillator to feed RF into pin 6 for disciplining of external oscillators
9	GND2	Ground	Ground	Ground. Connect all module grounds together

10	+3.0V Out	+3.0V output of internal Low Noise Linear regulator	+3.0V +/-0.1V, can supply up to 50mA	This pin connects to the internal Low Noise Low Dropout 3.0V Linear Regulator. Can be used to attach optional external bypassing caps for lower noise, or to power external 3.0V TCXOs or buffers
11	NMEA_1Hz/5Hz	Selects NMEA output Rate 1Hz/5Hz	Pull to ground to initiate 5Hz GPS NMEA output rate Leave floating for 1Hz rate	Pulling this pin low initiates 5Hz NMEA GPS fix outputs. Leave floating for default 1Hz output rate
12	RXD_CPU	RXD serial port input of internal microprocessor	3.3V CMOS input	This pin is internally connected to the GPS receiver TXD output via a 2.7K Ohms resistor. Leave unconnected, used for factory purposes
13	TXD_GPS	TXD serial output from GPS receiver	3.3V CMOS	TXD serial output from GPS receiver. Contains various NMEA messages in 38.4K Baud, 8N1 format. Do Not connect directly to RS-232 levels
14	TXD_CPU	TXD serial output from internal microprocessor	3.3V CMOS	Serial data output from internal microprocessor. Contains the JLT proprietary status and health NMEA-like sentence
15	PPS_GPS_RAW	GPS receiver 1PPS output	3.3V CMOS, synchronized to UTC(GPS). Contains sawtooth error	Raw GPS 1PPS output signal generated directly by GPS receiver. Not sawtooth corrected
16	MOBILE#	Initiates Mobile (3D) GPS mode	Pull to ground to initiate Mobile GPS mode and disable Auto Survey Position Hold mode. <b>WARNING: DO NOT CHANGE THE SETTING OF THIS PIN WITH POWER APPLIED TO THE UNIT, THIS MAY CORRUPT THE FLASH OF THE GPS RECEIVER PERMANENTLY.</b>	Pulling this pin low causes the internal GPS receiver to boot up the mobile GPS mode (3D mode), disabling the Position Hold Auto Survey feature. Leave floating for Timing GPS receiver mode. <b>WARNING: DO NOT CHANGE THE SETTING OF THIS PIN WITH POWER APPLIED TO THE UNIT, THIS MAY CORRUPT THE FLASH OF THE GPS RECEIVER PERMANENTLY.</b>
17	GND3	Ground	Ground	Ground. Connect all module grounds together

18	RF-IN	GPS Antenna RF Input	1575MHz L1 GPS signal input. 0dBm max. Contains DC power supplied to VANT pin 20 for DC antenna amplifier power.	Connect to passive or active GPS antenna. 0dB to +30dB antenna gain. 3.0V to 5.25V antenna DC power
19	GND4	Ground	Ground	Ground. Connect all module grounds together
20	VANT	DC Antenna Bias Power Input	0V to 5V max	Connect DC power for antenna power supply. Typically 3.3V or 5V. This power pin is internally bypassed, and connected via Bias-T to the antenna RF pin 18
21	+3.3VA	+3.3V Power Input	+3.3V -0.1V/+0.2V. 0.06A typical	Main 3.3V DC Power Input Pin. Internally bypassed
22	+3.3VB	+3.3V Power Input	+3.3V -0.1V/+0.2V. 0.06A typical	Main 3.3V DC Power Input Pin Internally bypassed
23	RESET#	Reset Input	Pull to ground for >50ms to initiate a system reset	Pull to ground to manually reset system. Leave floating during normal operation
24	CLOCKOUT/ISP#	RF Synthesizer output, and In System Programming (ISP) mode initialization	Do not pull low at any time. 3.3V CMOS output. Can drive up to +/-10mA. ISP mode for factory use only	This pin generates the synthesized RF output. Pin 7 indicates when this pin is active. Do not pull low externally to avoid initiating ISP mode during power-on. Can be buffered by external CMOS gate. Output frequency is determined by FS0/FS1/FS2 pins
25	FREQ_SEL0	Frequency Select 0 (LSB)	Pull to ground to activate (0). Leave floating (1)	Frequency select 0. Pulling this pin low activates one of the synthesizer output frequencies
26	FREQ_SEL1	Frequency Select 1	Pull to ground to activate (0). Leave floating (1)	Frequency select 1. Pulling this pin low activates one of the synthesizer output frequencies
27	FREQ_SEL2	Frequency Select 2 (MSB)	Pull to ground to activate (0). Leave floating (1)	Frequency select 2. Pulling this pin low activates one of the synthesizer output frequencies
28	WARMUP_TRAINING	TCXO Warmup Indicator	3.3V CMOS (warmup), 0V (warmup done)	3.3V CMOS output indicating TCXO warmup after power-on. Can drive an LED with up to 10mA. Stays high for about 1 minute after reset

29	SURVEY_Active	Auto Survey Active Indicator	3.3V CMOS (Auto Survey Active), 0V (Auto Survey finished)	Indicates the status of the Auto Survey process. Can be used to drive an LED with up to 10mA. Stays high for the duration of the Auto Survey process
30	LOCK-OK	LOCK-OK/No-Event indicator	3.3V CMOS (LOCK OK), 0V (Event Pending)	LOCK-OK indicator. Goes low if any event is pending. Stays high if the unit is locked to GPS, and no events are pending. Can be used to drive an LED with up to 10mA. If indicated, events can be checked in the JLT Proprietary Status output message on the serial output pin 14
31	ALARM	Alarm output	3.3V CMOS Alarm output. Goes high if hardware or software fault is detected	3.3V CMOS ALARM output. Can be used to drive an LED with up to 10mA. A hard- or software fault has occurred if this signal goes high
32	GND5	Ground	Ground	Ground. Connect all module grounds together

## 2.4 Connecting a GPS Antenna

Connect the GPS antenna to the MMCX connector J4 shown in [Figure 2.3](#). Alternatively the GPS antenna may be connected to the small U.FI coax connector on the LTE-Lite SMT Module itself. Do not use both antenna connectors at the same time as they are wired in parallel. Please make sure to connect the GPS antenna prior to connecting the USB or power cable to the unit.

**Caution: use a Lightning Arrestor on your Antenna setup.**

The unit will provide +3.3V DC to the external antenna with up to 60mA of current. The LTE-Lite Evaluation Board GPS receiver includes a 65 channel high-sensitivity GPS receiver with very fast lock time that supports QZSS/WAAS/EGNOS/MSAS Satellite Based Augmentation Systems (SBAS). By default a self-survey position-hold mode (auto survey) establishes the antenna position over the first 2000 fixes after which the unit only requires a single satellite in-view to operate properly, or it can be used in mobile platforms by disabling the Auto Survey mode by inserting a jumper between pins 1 and 2 of the three pin header J3 (with the unit powered-off).

The LTE-Lite Evaluation Board GPSDO is capable of generating a number of standard navigation messages that are compatible with most GPS based navigation software and are sent to the USB port. Alternatively a toggle switch can be used to select a NMEA-style proprietary oscillator status and health string. The GPS NMEA output can be generated in 1Hz (default) or 5Hz (insert 5Hz jumper into JP1) update rates.

The GPS receiver generates a 1PPS time signal that is phase synchronized to UTC. This 1PPS signal is used to frequency-lock the TCXO output of the unit to UTC, thus disciplining the unit's

20MHz/19.2MHz/10MHz frequency output to the US Naval master clock for very high frequency accuracy (typically better than 1ppb of frequency accuracy when locked to GPS). Over the long term, the LTE-Lite Evaluation Board GPSDO will out-perform free-running Cesium Atomic Frequency Standards.

## 2.5 USB serial connection

- The unit outputs strings to the USB Serial port at 38400 baud, 8N1.
- The unit cannot receive serial data and ignores serial data sent to it.
- The unit supplies a 1PPS signal to the DCD# pin of the USB port which can be used to synchronize programs such as NTP or GPSD.
- Connect the PC via the USB cable and connector, attaching the LTE-Lite Evaluation Board to your PC's Hyperterminal, TeraTerm, or a NMEA compatible program such as the uBlox u-center application. Please initialize your PC application software to the proper COM port (automatically assigned by Windows) and configure the application software for 38400 Baud, 8 bits, no parity, 1 stop bit, and no flow control where applicable.

### 2.5.1 Proprietary \$PSTI NMEA GPS Status Sentence

When in timing mode, the GPS receiver NMEA serial status output sentences contain a timing status message in NMEA proprietary format. This \$PSTI message is encoded as follows:

**\$PSTI,00,1,1985,-12.4,30,5\*28**

[\$[Proprietary Message String ID], [00], [Timing Mode], [Survey Length in 1PPS fixes], [1PPS Quantization Error in ns][Position Standard Deviation Threshold][Calculated Position Standard Deviation After Self-Survey]\*[NMEA compatible checksum]

The Timing Mode parameter field is encoded as follows:

0 = PVT Mode

1 = Survey Mode

2 = Static (Position Hold) Mode

### 2.5.2 JLT Proprietary STATUS Output Sentence

Selecting the STATUS setting on toggle-switch SW1 will enable the JLT proprietary NMEA-style oscillator status and health output string to be sent to the USB port. The string has the following exemplary format:

**\$PJLTS,0.33,-31.15,189,2,1.6970169,56.5672,1.6E-8,0,7,0x228\*44**

**\$PJLTS,-1.35,-31.15,190,2,1.6970190,56.5672,1.6E-8,0,7,0x228\*60**

The fields of this status string are encoded as follows:

**\$PJLTS,-1.35,-31.15,190,2,1.6970190,56.5672,1.6E-8,0,7,0x228\*60**

\$[JLT Proprietary Status String ID],[filtered UTC offset in ns], [raw UTC offset in ns], [number of captured 1PPS pulses], [lock status], [EFC voltage], [EFC percentage (0% to 100%)], [estimated frequency accuracy (similar to 100s ADEV)], [seconds in holdover], [number of Sats tracked (<9)], [health status]\*[NMEA compatible checksum]

**N.B: Please note that from time to time this serial port will have short binary messages on it which are routed to the internal GPS receiver. It is thus recommended that any parser using the output from this serial port only parses sentences beginning with a valid ‘\$’ character, and that a parser also checks the NMEA checksum at the end of the sentence, and discards any messages or data that does not have valid NMEA format without any adverse effects to the parser itself in case binary messages (essentially random noise) are present on this serial port.**

### 2.5.2.1 Lock Status Definition

Lock Status definitions:

Value	State
0	TCXO warmup
1	Holdover
2	Locking (TCXO training)
4	[Value not defined]
5	Holdover, but still phase locked (stays in this state for about 100s after GPS lock is lost)
6	Locked, no pending events, and GPS is active

The third binary bit in the status parameter is encoded in the same status as the LOCK-OK LED.

### 2.5.2.2 Health Status Definition

The proprietary JLT NMEA-like status sentence contains a hexadecimal status word that shows system health, and oscillator status. Encoding is done by each bit indicating a specific parameter, and thus all bits are orthogonal to each other and can be easily decoded.

The definition of the health parameter is as follows:

If the TCXO coarse-DAC is maxed-out at 255	HEALTH STATUS  = 0x1
If the TCXO coarse-DAC is mined-out at 0	HEALTH STATUS  = 0x2
If the phase offset to UTC is >250ns	HEALTH STATUS  = 0x4
If the run-time is < 300 seconds	HEALTH STATUS  = 0x8
If the GPS is in holdover > 60s	HEALTH STATUS  = 0x10
If the Frequency Estimate is out of bounds	HEALTH STATUS  = 0x20

If the TCXO voltage is too high	HEALTH STATUS  = 0x40
If the TCXO voltage is too low	HEALTH STATUS  = 0x80
For the first 2 minutes after a phase-reset, or a coarse-DAC change	HEALTH STATUS  = 0x200





# 3 Certification and Warranty

## 3.1 Certification

Jackson Labs Technologies, Inc. certifies that this product met its published specifications at time of shipment.

### 3.1.1 Warranty

This Jackson Labs Technologies, Inc. hardware product is warranted against defects in material and workmanship for a period of 1 (one) year from date of delivery. During the warranty period Jackson Labs Technologies, Inc. will, at its discretion, either repair or replace products that prove to be defective. Jackson Labs Technologies, Inc. does not warrant that the operation for the software, firmware, or hardware shall be uninterrupted or error free even if the product is operated within its specifications.

For warranty service, this product must be returned to Jackson Labs Technologies, Inc. or a service facility designated by Jackson Labs Technologies, Inc. Customer shall prepay shipping charges (and shall pay all duties and taxes) for products returned to Jackson Labs Technologies, Inc. for warranty service. Except for products returned to Customer from another country, Jackson Labs Technologies, Inc. shall pay for return of products to Customer. If Jackson Labs Technologies, Inc. is unable, within a reasonable time, to repair or replace any product to condition as warranted, the Customer shall be entitled to a refund of the purchase price upon return of the product to Jackson Labs Technologies, Inc.

### 3.1.2 Limitation of Warranty

The foregoing warranty shall not apply to defects resulting from improper or inadequate maintenance by the Customer, Customer-supplied software or interfacing, unauthorized modification or misuse, opening of the instruments enclosure or removal of the instruments panels, operation outside of the environmental or electrical specifications for the product, or improper site preparation and maintenance. **JACKSON LABS TECHNOLOGIES, INC. SPECIFICALLY DISCLAIMS THE IMPLIED WARRANTIES OF MERCHANTABILITY AND FITNESS FOR A PARTICULAR**

**PURPOSE.** No license, express or implied, by estoppel or otherwise, to any intellectual property rights is granted by this document. Jackson Labs Technologies, Inc. products are not intended for use in medical, life saving, or life sustaining applications.

### **3.1.3 Exclusive Remedies**

**THE REMEDIES PROVIDED HEREIN ARE THE CUSTOMER'S SOLE AND EXCLUSIVE REMEDIES. JACKSON LABS TECHNOLOGIES, INC. SHALL NOT BE LIABLE FOR ANY DIRECT, INDIRECT, SPECIAL, INCIDENTAL, OR CONSEQUENTIAL DAMAGES, WHETHER BASED ON CONTRACT, TORT, OR ANY OTHER LEGAL THEORY.**